



## HOTLINE VANDAL RESISTANT TELEPHONE

Hotline Vandal Resistant Telephone is designed to meet the needs of clients who experience loss through vandalism. Ideal for parking lots, prisons, railway/metro platforms, hospitals, police stations, ATM machines, stadiums, outside building etc.

Housed in cold rolled steel box and manufactured to a high standard, these telephones offer increased resistance to vandalism, and ensure that the primary function of communications is maintained at all times.

### Main Features of Hotline Vandal Resistant Telephone

- Standard Analogue phone (PSTN) or SIP-VoIP phone
- Robust housing, constructed of stainless steel.
- Vandal resistant handset and armored cord
- Wall mounting, simple installation
- Weatherproof protection: up to IP 67
- Programmable for autodial
- Phone line powered
- External power supply or PoE (SIP)
- RJ45 Port for SIP connection
- CE, FCC, RoSH compliance

## Product Description

<b>Casing Material</b>	Cold rolled steel body
<b>Colors</b>	<b>RED, YELLOW</b> or GREY
<b>Handset Material</b>	ABS material handset with stainless steel spiral cord
<b>Temperature</b>	Operating: -30°C to +65°C Storing: -40°C to +75°C
<b>Weather Resistance</b>	Up to IP 67
<b>Ringing Tone</b>	Shrill warble tone 80 dBA at 1 metre typical
<b>Hook switch</b>	Electronic / magnetic with no visible moving parts
<b>M.T.B.F.</b>	Calculated to have an M.T.B.F. in excess of 50,000 hours using
<b>Weight</b>	Up to 5 kg depending on option

VoIP RC100 series telephones are fully contained within a corrosion resistant cast aluminium weatherproof case providing complete protection against dust and moisture ingress, resulting in a highly reliable product with a long MTBF.

The unique robust handset is manufactured from molded Bulk Molding Compound and designed specifically to withstand arduous use in all environments, armored cord to provide additional resistance to vandalism or heavy industrial use.

The RC100 series Weatherproof Telephones are designed for use by the railways, highway tunnels, power stations, the armed services and heavy industry which require very reliable telephony under adverse conditions.

## SIP-VoIP TECHNICAL SPECIFICATIONS

### Power Input:

12-24V DC

### Port:

WAN: 10/100Base-T RJ-45 for LAN, Auto MDIX

LAN: 10/100Base-T RJ-45 for PC, Auto MDIX

### Power Consumption:

Idle:1.5W/ Active:1.8W

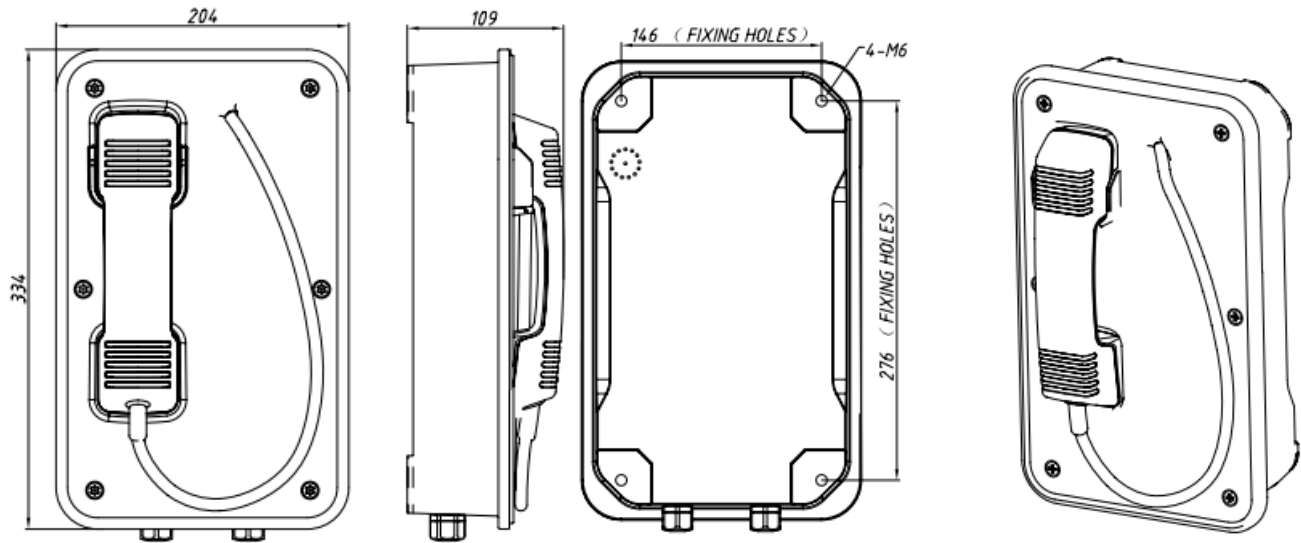
### Voice Features

- Support SIP 2.0 (RFC3261)
- Codec: G.711A/u, G.7231 high/low, G.729, G.722
- Echo cancellation: Support G.168 and hand-free can support 96ms.
- Supports full duplex.
- SIP support SIP domain, SIP authentication (none, basic, MD5), DNS name of server
- DTMF: SIP info, DTMF Relay, RFC2833
- Call control features: Flexible dial map, support hot-line

### Network Features

- WAN/LAN: support Bridge mode
- Support static IP address
- Support DHCP get IP on WAN port
- Support VLAN
- Support web config

**DIMENSIONS:**



*(Measured in mm)*

**APPROVALS**



This mark indicates compliance with the:  
Radio & Telecommunications Terminal Equipment Directive  
2004/108/EC



This mark indicates compliance with the:  
FCC Part 15 Subpart B Class B

**PACKAGE**

unit size: 204 \*334 \*109(mm)

Carton size:200\*300\*440( mm )

Packaging materials: pearl cotton, carton

Gross weight: 6KG Net weight: 5KG